

❖ SOFTWARE



Powered by
ABBYY®

ABBYY FineReader 12.0 Sprint

Unlocks the data inside paper-based documents, images and PDF files with enhanced accuracy that eliminates the need for retyping and reformatting. Tool that increases your productivity and efficiency which comes with simple user interface and supports recognition up to 183 languages.



DocAction

Plustek DocAction

Button utility to simplify document scanning. DocAction enables you to specify your personalized scanning configuration settings and scan documents with the touch of a button. Scanned documents are automatically sent directly to Printer, Email, Folder or FTP. DocAction also enables you to scan directly to many imaging and document management applications. DocAction saves scanned documents in all common imaging formats including: JPEG, TIFF, and PDF.

Hardware Requirements

- Pentium® IV 2.4 GHz processor
- DVD-ROM Driver
- One available USB 2.0 Port
- 1GB RAM (2GB or higher recommended)
- 2GB free HDD space (3GB or larger recommended)



As an International ENERGY STAR Partner, Plustek has determined that this product meets the International ENERGY STAR Program for energy efficiency.

Specification

Image Sensor	CIS x 2
Optical Resolution	600 dpi
Hardware Resolution	600 x 600 dpi
ADF Capacity	1. 100 sheets (A4/ Letter, 70 g/m ² or 18 Lbs), Max. thickness under 10 mm (0.4") 2. 50 sheets (A3, 70 g/m ² or 18 Lbs) 3. 20 sheets (Business Cards) 4. Plastic Card (Portrait Loading), Max. thickness under 1 mm, embossed cards can be scanned. Note: Maximum ADF capacity varies, depending upon paper weight.
Scanning Speed (ADF)	80 ppm/ 160 ipm (Grayscale/ B&W mode, 300 dpi, A4 Landscape) 45 ppm/ 90 ipm (Color mode, 200 dpi, A4 Landscape) 30 ppm/ 60 ipm (Color mode, 300 dpi, A4 Landscape) Note: Results may vary depending upon your scanning application, computer processor and system memory.
Scanning Area (W x L)	Max: 297 x 5080 mm (11.69" x 200") Min: 13.2 x 13.2 mm (0.52" x 0.52")
Acceptable Paper Sizes (W x L)	Max: 305 x 5080 mm (12" x 200") Min: 50.8 x 63.5 mm (2" x 2.5")
Acceptable Paper Weight (Thickness)	40 to 220 g/m ² (10 to 58 Lbs)
Daily Duty Scan (Sheets)	8,000
Action Button	4 Buttons: Up, Down, Scan, Standby 9 function keys: all customizable.
Power Supply	24 Vdc/ 2.7 A
Interface	USB 2.0/ RJ45 LAN
Net Weight	6.57 Kgs (14.48 Lbs)
Dimensions (W x D x H)	436 x 262 x 266 mm (17.16" x 10.31" x 10.47")
Protocol	ISIS & TWAIN Compliant
OS	Windows XP / Vista / 7 / 8 / 10



Network or USB Attached **A3** sized, **80ppm** Document Scanner



The Plustek SmartOffice SN8016U is a departmental class A3 sized document scanner that interfaces to your PC using either the built in USB interface or built in network interface. The dual interface coupled with industry standard TWAIN and ISIS* drivers and DocAction single touch scanning enable this scanner to be used for almost any document imaging application or scanning environment.

❖ KEY FEATURES

- **80ppm (160 ipm) scan speed (Grayscale, 300 dpi, A4 Landscape)**
- **Ultrasonic multi-feed detection**
- **No warm up time. Instant on LED illumination.**
- **Scans plastic cards, insurance cards, license cards, business cards up to 1.2mm**
- **USB or network attached**
- **Scans documents up to 5080mm (200") long**
- **8000 page per day duty cycle**
- **Advanced image enhancement to automatically straighten and rotate pages, adjust brightness, detect color and increase OCR accuracy.**
- **ENERGY STAR Certified**



Flexibility – USB or Network Attached

The dual interfaces enable the SmartOffice SN8016U to be either directly attached to a PC or connected to your local network. When the network interface is used, the scanner can be shared with all of the PCs on the network. This is great for workgroups and departments that do not have the scanning workload to justify purchasing a scanner for every workgroup or department member.



Performance – Fast scanning, large feeder, high daily duty cycle

Featuring a scan speed of 80 pages per minute, 160 images per minute in duplex mode, a 100 sheet feeder and a daily duty cycle of 8,000 pages per day, the SmartOffice SN8016U is designed for applications requiring frequent scanning of large document batches.



Productivity - Handles a wide range of paper and card with no sorting



The SmartOffice SN8016U scans mixed batches of documents without the need for separating or sorting including embossed cards, such as IDs or driver licenses, and any sized paper document up to A3 size and 200" long. Coupled with Plustek's advanced image processing, the SN8016U provides you with automatically sized and exported images or PDFs. The A3 sized feeder easily handles documents from 2" x 2" to 11.69" x 200".



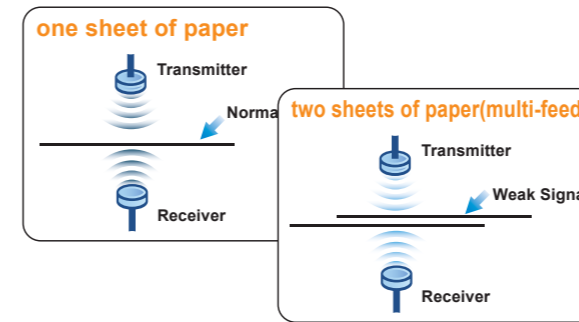
Easy-to-Use

Single-touch customizable button automates up to 9 frequent scanning jobs (e.g., Scan to PDF, Scan to file, email, network share, copy, etc.) The innovative automatic wake-up function turns the scanner on as soon as documents are placed in the feeder.



Compatible – Works with hundreds of scanning applications

Industry standard TWAIN, WIA and ISIS* drivers combined with TIF, JPG, PDF and Microsoft Office file formats ensure compatibility with thousands of scanning and imaging programs. ABBYY FineReader Sprint is included to easily create and manage searchable PDFs at the touch of a button.



Intelligent Misfeed Function

The ultrasonic sensor detects double feeding of original documents during scanning, and prevents double feeding and effectively scans documents of different weights or thickness. The ultrasonic function can be turned off when scanning document with labels, sticky notes, or taped receipts.

Built in image processing ensures the highest image quality, reduces rescans, increases OCR accuracy and now includes automatic color detect.

1 Auto Mode
automatically detects document color and scans document in color, grayscale or black & white mode.

2 Auto Rotate
automatically rotates document based on the contents of the document.

3 Auto Crop & Deskew
automatically straightens and crops image to the document's actual size.

4 Color Dropout
removes red, green or blue color when scanning forms.

5 Blank Page Removal
automatically removes blank pages without manual editing.

6 Merge Pages
allows you to scan both sides of your folded document and merge them into one image.

A3 Supports document scanning up to A3 size.

80 160 Fast scanning at speeds up to 80ppm/160ipm in Grayscale mode, and 45ppm/90ipm in Color mode.

100 Effective scanning with large Automatic Document Feeder up to 100 sheets.

ID CARD Scans embossed rigid cards such as ID cards, insurance cards, drivers licenses and credit cards up to 1.2mm. Perfect for vertical applications such as healthcare, pharmacy, accounting, hospitality, etc.

BUSINESS CARD Digitize paper business cards into easily-managed and sorted contacts, and turn your business cards into information.

SEARCHABLE PDF Save paper documents as searchable PDFs at the touch of a button and find your information faster.